

30W Constant Current -LS Series

LS-30-XXX LX



■ Approve



■ Features

- Class II, SELV, built-in
- Input Voltage 220-240VAC
- Protections: SCP/OLP/OVP
- Power Factor >0.9
- Efficiency ≥87%
- 5 years warranty

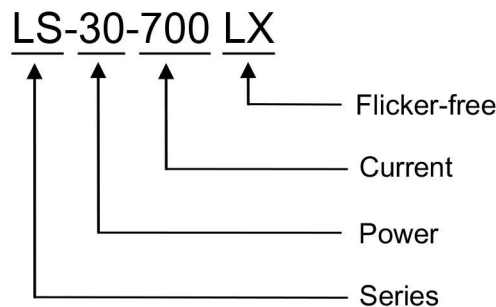
■ Applications(Typ.)

- LED panel
- LED spot lights
- LED down lights
- Track lamp

■ Description

LS-30-XXX LX is a 30W constant current LED driver with 600 to 800mA output current. With it's compact dimensions from 85.5 x 40.5 x 26 mm it is easy to integrate in LED Panel, spot, down lights and COB lights. To ensure trouble-free operation, protection is provided against output short circuit and over Load.

■ Model code



30W Constant Current -LS Series

LS-30-XXX LX

■ Specification

Input	Rated input voltage	220-240VAC			
	Range of input voltage	198-264VAC			
	Frequency(Hz)	50/60 Hz			
	Power Factor	>0.9@220-240VAC			
	Input Current max	0.23A MAX. @Full Load,198VAC			
	Start-up time	< 0.5S			
	Unload Power Consumption	≤0.5W			
	Inrush Current	30A Max.			
	THD	10% Typ.@Full Load,230VAC			
	Leakage Current	< 0.7mA(240VAC)			
Output	Constant Current	600mA	650mA	...	800mA
	Unload voltage Max.	52VDC	52VDC	...	52VDC
	Voltage Range(VDC)	28-42VDC	28-42VDC	...	28-40VDC
	Rated power	25.2W Max.	27.3W Max.	...	32W Max.
	Current Accuracy	±5%@220-240VAC			
	Voltage Regulation	±5%@Full Load,220-240VAC			
	Load Regulation	±3%@220-240VAC			
	Hold-up Time	1s max.@Full Load			
	Ripple& Noise *Note.2	≤±3%@Full Load, 230VAC			
	Output LF current ripple(<120Hz)	≤±3%@Full Load, 230VAC			
	Efficiency(Typ.)	≥87%			
Protection	Over Load Protection	103-120% Protection type: Auto Resume			
	Over Voltage Protection	> 52VDC	> 52VDC	...	> 52VDC
		Protection type: Auto Resume			
	Short circuit Protection	Protection type: Auto Resume			
Environment	Operating Temperature	-20°C...+55°C			
	tc	85°C			
	Storage Temperature	-25°C...+60°C			
	Life time	> 30,000h@ta=55°C			
	Humidity	20%-90%RH			
Others	Dimension	85.5X40.5X26(LXWXH)mm			
Safety & EMC	Safety standards	EN 61347-1; EN61347-2-13; EN62384			
	Withstand voltage	Input-Output : 3750V/5mA/1min			
	Isolation resistance	Input-Output : ≥4MΩ@500VDC			
	EMI	EN55015; EN61000-3-2 Class C; EN61000-3-3			
	EMS	EN 61547; EN 61000-4-2; EN 61000-4-5 —1000V;			
Note	<p>1.All parameters NOT specially mentioned are measured at 240VAC input , full load and 25°C of ambient temperature.</p> <p>2.Ripple & Noise are measured at 20MHz of bandwidth by using a 300mm twisted pair-wire terminated with a 0.1uF & 47 uF parallel capacitor.</p>				

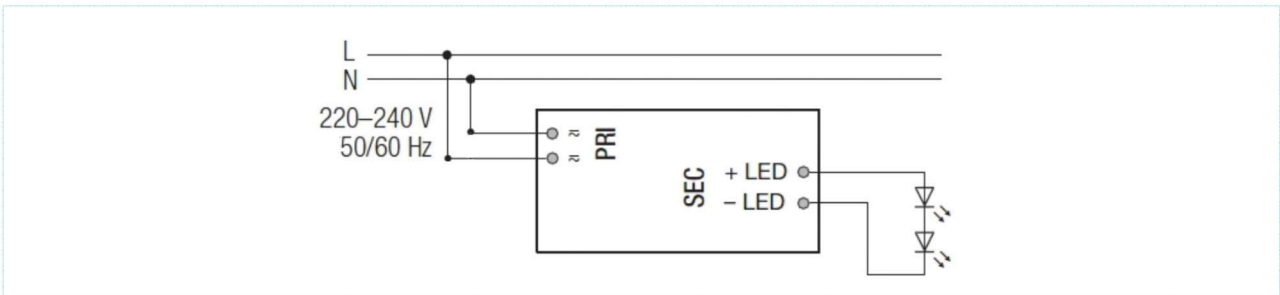
30W Constant Current -LS Series

LS-30-XXX LX

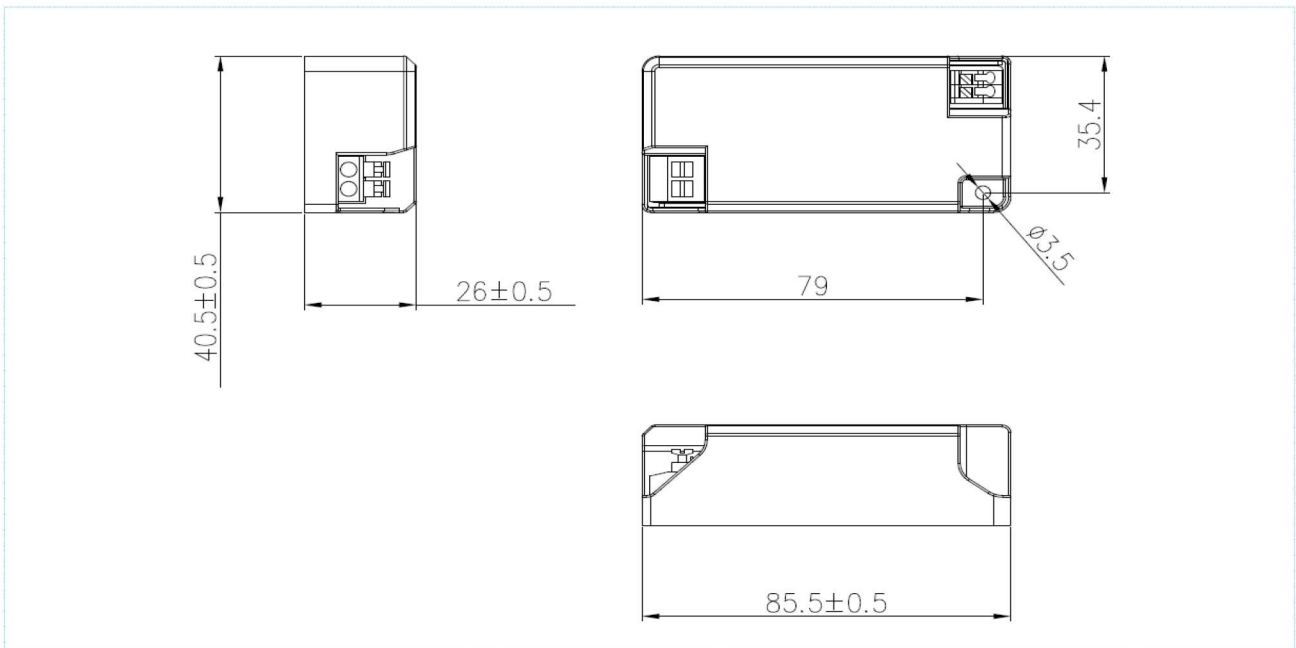
■ Model list

NO.	Model number	Input			Output			Max. Prated(W)
		Voltage (VAC)	Current (A)	Frequency (Hz)	Constant current (mA)	Normal working voltage (VDC)	No load working voltage (VDC)	
1	LS-30-600 LX	220-240	0.23	50/60	600	28-42	52	25.2
2	LS-30-650 LX	220-240	0.23	50/60	650	28-42	52	27.3
3	LS-30-700 LX	220-240	0.23	50/60	700	28-42	52	29.4
4	LS-30-750 LX	220-240	0.23	50/60	750	28-42	52	31.5
5	LS-30-800 LX	220-240	0.23	50/60	800	28-40	52	32

■ Wiring diagram



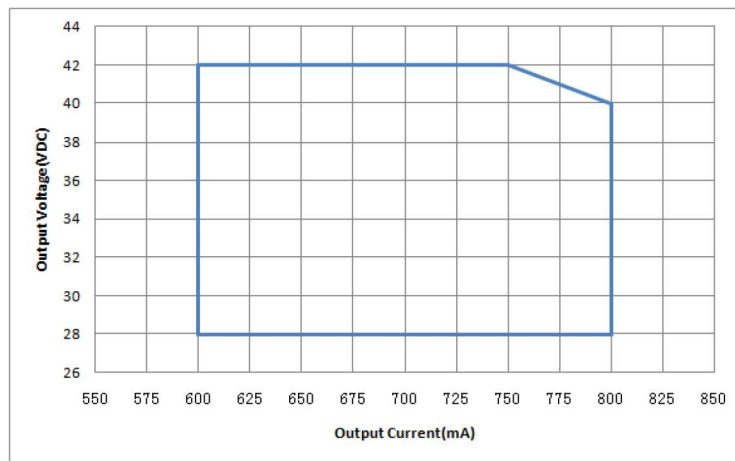
■ 2D diagram



30W Constant Current -LS Series

LS-30-XXX LX

■ Operating window



— Operating window 100%